

Manual de instrucciones

Yonguno RF-605



PDF





RF605

Wireless Flash Trigger

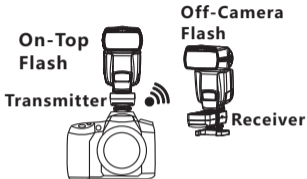
无线引闪器

User Manual
使用手册

Contents

Thank you for purchasing YONGNUO products in advance.

Please be sure to read and understand this user manual and the usage of camera and flash before using. This product is a wireless transceiver integrated design, for the convenience of description, the product will named "transmitter" when mounted on the camera hot shoe, named "receiver" when mounted or connected to the flash.



Product Features	1
Cautions	2
Names of RF605 Parts	3
Button, display, indicator light	4
Preparation before using	5
Wireless triggering and testing	6-7
Shutter release function	8
Function extend	9
Troubleshooting	10
Specification	11

Product Features

- RF-602/RF-603 two communication modes RF605 = RF602 + RF603
- TX/RX/TRX multiple working ways
- A/B/C/D/E/F 6 groups (compatible with YN560-TX)
- Wireless shutter remote control
- Clear LCD screen display, shortcut key operation
- 16 channels
- Communication range up to 100M

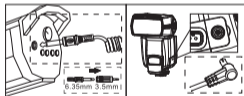
Package Contents:

RF605C or RF605NX2
LS-2.5 shutter connecting cable*X2
User ManualX1

*The shutter release cable type please refer to the packing shown.

- Please purchase the additional shutter release cable or PC cable if necessary.

Optional component: LS-PC series flash cable



LS-PC635

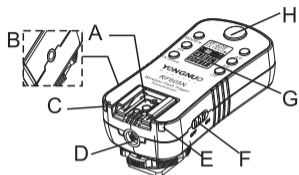


LS-PC/PC

Cautions

1. As this is an electronic product accessory, some of the environment causes may affect the working. However this is hardly ever to get this situation, don't worry.
2. Do not pull the wires and turn off the camera when connecting.
3. For a long time non-use, please turn the transceiver off and remove the batteries.
4. Do not put it in high temperature, such as a closed car under direct sunlight, the control panel and other high temperature areas.
5. Keep dry, do not use wet hands contact with the product, the product must not be immersed in water or exposed to rain, and this may and this may lead to not work properly.
6. Do not used in the flammable occasion in violation of this warning may cause an explosion or fire.
7. Owing to this product include battery, please operate it strictly according to related rules, otherwise maybe cause explosion, fire or physical injury.
8. Do not trigger the flash close to a person's eyes, it may impair the person's vision.

Names of RF605 Parts



A-Hot shoe stand/Hot shoe contacts: install flash
B-2.5mm shutter release socket
C-Focus light (Green)/shutter indicator light (Red),in RF-603 TRX status, the AF-assist light will blink once in every 2 seconds.

D-PC interface(output)

E-Waken indicator (Green)/trigger indicator light (Red),in RF-602 RX status, the trigger indicator light will blink once in every 2 seconds.

F-Power switch: ON means turn on, while OFF means turn off

G-Buttons and display (see below page)

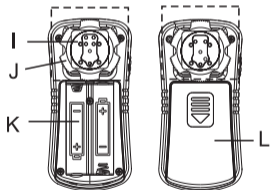
H-Multifunction button (see below page)

I-Hot shoe fixed foot and contacts: mounted on the camera hot shoe

J-Locking ring

K-Battery compartment



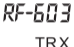
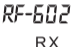




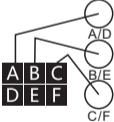

L-the battery compartment cover



RF605C is more suitable for the Canon cameras

RF605N is more suitable for the Nikon cameras


Button, display, indicator light

Button	Function	Display/Indicator light
【MODE/★】 Communication mode/Transmit-receive status button	Long press to switch the communication mode RF-602/RF-603; Short press to switch the transmit-receive status RF-602 can use TX(transmit),RX(receive) Status; RF-603 can use TX (transmit), TRX(transmit-receive) status	   
【CH】 Channel	Press to setup the channel (1-16)	   
【TX Group】 Transmit grouping button	Press the button to activate the transmit grouping button setting, then press the transmit-receive grouping button to turn on/off the transmitting group	
【A/D】 【B/E】 【C/F】 Transmit-receive grouping button	Short press to turn on/off the A/B/C group, long press to turn on/off D/E/F group, the corresponding grouping indicator light on or off	
【Multifunction Button】	In TX status: half press to waken the speedlite, full press the to test flash	waken/trigger  focus/shutter

Preparation before using

1. Battery Installation:

Slide to open the battery compartment, install two AAA batteries(not included) for two transceivers according to the "+/-" direction shown.

- The low battery Indicator()

The low battery indicator will blink when the batteries are low. Please replace the battery.

2. Fix the transmitter on the hot shoe of the camera:

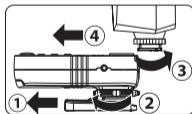
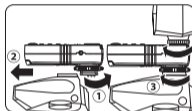
Mount the transmitter on the hot shoe of the camera through the hot shoe mounting foot, then tight the locking screw.

Supports installing the flash on the transmitter (on-top flash , as the picture shown).

3.Fixed the receiver and flash

Mount the receiver on the mini stand of the flash attached or other fixed device (not included), and tight the locking screw. Install the flash on the hot shoe of the receiver, lock the flash and ensure all links are fixed well.

- **Make sure all the transceivers have been fixed, the flash set to manual "M" mode.**



Wireless triggering and testing

1. Set the communication mode: Set all the transmitters and receivers to the same communication mode (RF-602 or RF-603).

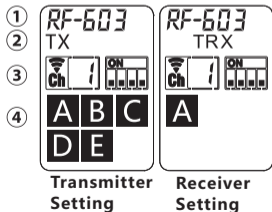
2. Set the transmit-receive status: Set the transmitter to TX, the receiver set to RX or TRX.

3. Channel setting: Set all the transceivers in the same channel.

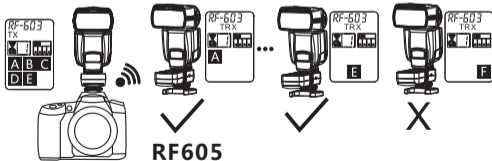
4. Set the groups of transmitter and receiver:

1) Transmitter settings: In TX status, press the grouping button for setup; in TRX status, press the TX Group button or half press the camera shutter release button to activate the transmit group settings.

2) Receiving group setting: Press the grouping button for settings.



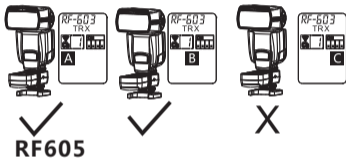
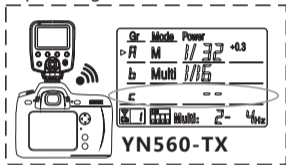
Example: Use the RF605 and set the F group not flash



Wireless triggering and testing

Example: use the YN560-TX and set C group not flash

Set the C group flash mode to "--" when using the YN560-TX ,the C group of corresponding RF605 receiver does not flash.



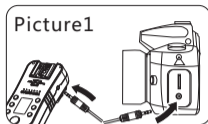
5.Waken the flash: half press the transmitter(TX status) multifunction button or camera shutter to waken the flash.

6.Test and trigger the flash :Fully press the multifunction button of the transmitter (TX status) to test the flash once. When fully pressing the release button of camera shutter, it will wireless synchronously trigger the on-top flash and off-camera flash.

☞ **Use the non specialized transmitter can also wireless trigger the flash (single contact trigger).**

Shutter release function

Connect the shutter connecting cable: need to use(or purchase additional)the corresponding type of the LS-2.5 series shutter connecting cable. As the picture 1 shown, use the shutter connecting cable to connect between the camera shutter socket and transceivers.

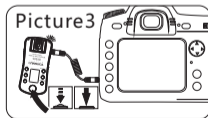


1.RF-602 mode: Supports wireless shutter release, the transmitter set to "TX" status, the receiver set to "RX" .

2.RF-603 mode: Supports wired shutter/wireless shutter release, all transceivers set to "TRX" status.

- As the picture 2 shown, half press the multifunction button on the transceiver(transmitter), the camera will focus. The focus light bright (Green),full press the button, the camera will shoot, meanwhile the shutter indicator light bright (Red).

- In RF-603 mode, single transceiver can be used as wired shutter release (as the picture 3 shown).

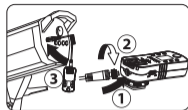


Function extension

1. Use the PC interface to trigger other types of flashes:

realize the function need to additional purchase the Yongnuo LS-PC series connecting cable according to different interfaces.

• As the picture shown, connect the receiver and flash through the PC cable, the flash will sync flash in triggering.

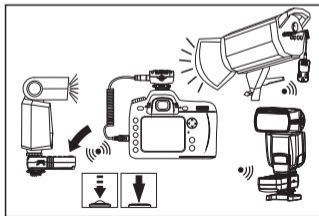


2. Wireless remote shooting and sync trigger the flash: Multiple RF605 combination, it need LS-2.5 shutter connecting cable and multiple RF605 transmitters. **To realize this function, all the transceivers need to set in RF-603 "TRX" status.**

1). Install one transceiver on the hot shoe of the camera, and connect the shutter socket with the shutter connecting cable to the camera.

2). Fix and install the receivers and flash.

3). Handhold one transceiver as remote control transmitter, full press the multifunction button to remote shooting, the flash will sync flash in triggering.



Troubleshooting

1.Unable to power on or wireless trigger the flash

- ☞ Make sure the equipment with adequate power, **the transceiver use the same channel and communication mode.**
- ☞ When set in TX status , press the testing button to test flash, **in RX and TRX status could not test flash.**
- ☞ Make sure **the flash is ready and the flash has set in manual (M) mode.**
- ☞ Make sure the transceiver, camera and flash in normal contact, or it will lead to triggering problem.

2.Unable to awake the flash

- ☞ When using the non specialized transmitter, it need to half press the button of transmitter to awake the flash when the transmitter set in TX state. If the flash could not be awaken, it need to manual awake the flash or turn off the power saving mode.

3. The shutter could not be released

- ☞ When part of the cameras could not find the focus, it could not proceed to shoot even if receiving the shooting signal. The focus mode of camera should be adjusted to "M" .

4.Factory Reset

- ☞ Hold down the buttons [TX Group] and [C/F] at the same time, then release them to restore default factory settings.

Specification

Type: FSK 2.4GHz wireless remote control system

Transmission distance: 100m

Channels:16 channels

Group:6 Groups

Shutter release: half-press, full-press

Shutter interface: 2.5mm socket

Studio flash light interface: standard PC socket

Max Sync Speed: 1/320 second

Battery: AAA×2(3V)

Stand-by time: about 90 hours in TX status, about 30 hours in TRX (RX) status.

Size : 85MM x 41MM x 35MM

The functions of this user manual are based on test conditions of our company.
Further notice will not be given if the design and specifications change.

The YONGNUO logo in this manual includes the registered trademark or trademark of Shenzhen Yongnuo Photography Equipment Co.,Ltd in China or/and other countries(regions).All other trademarks are the property of their respective owners.

目录

首先感谢您购买永诺产品。
使用前请您务必通读并理解本使用说明书
和相机及闪光灯的使用方法。
本产品使用收发器设计，为方便描述，本
说明书将安装于相机热靴时称之为发射
器，安装或连接闪光灯时称之为接收器。



产品功能简介.....	1
注意事项.....	2
RF605各部位名称.....	3
按钮、显示屏、指示灯.....	4
使用前准备.....	5
无线引闪及测试.....	6-7
快门线功能.....	8
功能延伸.....	9
故障排除.....	10
规格.....	11

产品功能简介

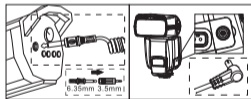
- RF-602/RF-603两种通信模式 RF605 = RF602 + RF603
- TX/RX/TRX多种工作方式
- A/B/C/D/E/F 6个分组 (兼容YN560-TX)
- 无线快门遥控
- 清晰LCD屏幕显示, 快捷按键操作
- 16个频道
- 通讯距离长达100M

包装内容:

RF605C或RF605N	X2
LS-2.5 快门线*	X2
使用手册	X1

*快门线型号根据外包装所示。

选购件:LS-PC 系列闪光灯连接线



LS-PC635



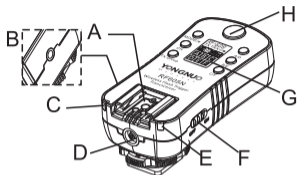
LS-PC/PC

- 可根据拍摄需要额外选购快门连接线或PC连接线。

注意事项

- 1.本产品属电子产品的附件，有可能因外界环境因素影响而造成相机不能拍摄或异常动作。请勿担心，这种情况的可能性非常小。
- 2.连接线与相机连接时，请勿拉扯连接线，并在关闭相机电源时连接。
- 3.长时间不使用本产品时，请将电源关闭，并将电池取出。
- 4.请勿置于高温中，如阳光直射下的封闭汽车内、控制面板等高温地方。
- 5.请保持干燥，勿用湿手接触产品，亦不可将产品浸入水中或暴露雨中，否则可能引起无法正常使用，甚至损坏。
- 6.请勿在易燃易爆场合中使用，违反此警告可能引起爆炸或火灾。
- 7.本产品涉及电池，关于电池的使用请严格按照相关规定，否则会引起财产损失或人身伤害。
- 8.搭配闪光灯使用时，请勿将闪光灯靠近人眼闪光，否则可能造成视力伤害。

RF605 各部位名称



A-热靴座/热靴触点：安装闪光灯

B-2.5mm快门线插座

C-对焦指示灯(绿色)/快门指示灯(红色):在RF-603 TRX状态下，对焦指示灯隔2秒闪一次

D-PC接口(输出)

E-唤醒指示灯(绿色)/引闪指示灯(红色):在RF-602 RX状态下，引闪灯指示灯隔2秒闪一次

F-电源开关：ON为开，OFF为关

G-按钮及显示屏(见后页)

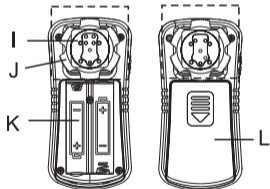
H-多功能按钮(见后页)

I-热靴固定脚及触点：安装于相机热靴

J-锁紧环

K-电池仓


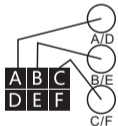

L-电池仓盖



RF605C更
适合佳能相机

RF605N更
适合尼康相机

按钮、显示屏、指示灯

按钮	功能	显示/指示灯
【MODE/★】 通信模式/收发状态按钮	长按切换通信模式RF-602/RF-603 短按切换收发状态 (TX/RX/TRX) RF-602 可使用TX(发射) RX(接收)状态 RF-603 可使用TX(发射) TRX(收发)状态	RF-603 RF-602 TX TX RF-603 RF-602 TRX RX
【CH】 频道	按下设置频道 (1-16)	
【TX Group】 发射分组按钮	按下该按钮激活发射分组设置，再按收发分组按钮打开/关闭发射分组	
【A/D】【B/E】【C/F】 收发分组按钮	短按打开 (关闭) A/B/C组，长按打开 (关闭) D/E/F组，对应分组指示灯点亮或关闭	
【多功能按钮】	TX状态下:半按唤醒闪光灯，全按测试引闪 TRX状态下:半按对焦，全按快门	唤醒/ 引闪  对焦/ 快门

使用前准备

1. 电池安装:

打开电池仓，依照电池仓上的 "+/-" 指示分别为两只收发器安装两只AAA电池(不含)。

- 低电池电量指示 ()

电池电量较低时，低电池电量指示将闪烁，请更换电池。

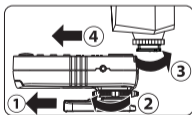
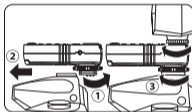
2. 固定发射器于相机热靴座：

利用热靴固定脚安装在相机机顶热靴并锁紧旋钮。

- 支持在发射器上安装闪光灯(机顶闪光灯，如图所示)。

3. 固定接收器及闪光灯:

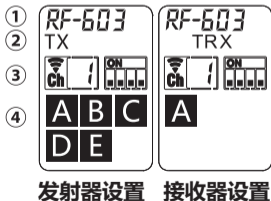
将接收器安装在闪光灯附带的微型支架或其他固定装置(不含)，并锁紧旋钮。安装机载闪光灯在接收器的热靴座上，锁紧闪光灯，确保各环节连接牢固。



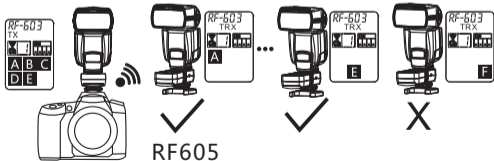
- 使用前请确认所有设备已固定牢固，闪光灯需设置在手动“M”模式。

无线引闪及测试

- 1.设置通信模式：设置发射器、接收器为相同的通信模式(RF-602或RF-603)。
- 2.设置收发状态：一般将发射器设置在TX，接收器设置在RX或TRX。
- 3.设置频道：设置所有收发器在相同的频道。
- 4.设置发射器及接收器分组：
 - 1.)发射器设置：在TX状态下直接按分组按钮设置，在TRX状态下，按下【TX Group】按钮或半按相机快门按钮激活发射分组设置。
 - 2.)接收器分组设置：直接按分组按钮设置。



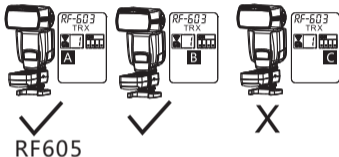
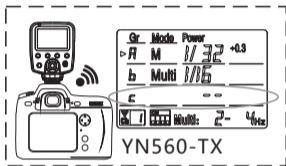
示例：使用RF605设置F组不闪光



无线引闪及测试

示例：使用YN560-TX设置C组不闪光

使用YN560-TX时设置C组闪光模式为--，对应RF605接收器C组不闪光。



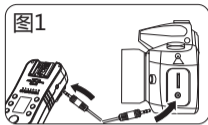
5.唤醒闪光灯：半按发射器(TX状态)多功能按钮或相机快门按钮唤醒闪光灯。

6.测试及引闪闪光灯：完全按下发射器(TX状态)多功能按钮测试闪光一次。完全按下相机快门释放按钮时，将同步引闪机顶及离机闪光灯。

☞ **使用非专用的发射器也可无线引闪闪光灯(单触点引闪)。**

快门线功能

连接快门线：需要使用(或另购)相应型号的LS-2.5系列快门连接线。如图1示，在相机快门插座与收发器之间使用快门连接线连接。



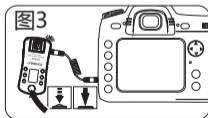
1.RF-602模式：支持无线快门，发射器设置在"TX"状态，接收器设置在"RX"状态。

2.RF-603模式：支持有线快门线/无线快门线功能，收发器均设置为"TRX"状态。

- 如图2所示，半按手中收发器（发射器）的多功能按钮，相机进行对焦动作。对焦指示灯亮(绿色)，完全按下按钮，相机进行拍摄动作，同时快门指示灯亮(红色)。



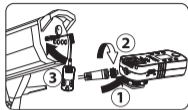
- 在RF-603模式下，单只收发器可作为有线快门线使用(如图3所示)。



功能延伸

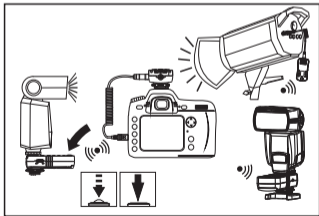
1.使用PC接口引闪其他类型闪光灯：实现此功能需要根据不同接口另购永诺LS-PC系列连接线。

• 如图所示将接收器与闪光灯使用PC连接线连接，闪光灯将在引闪时同步闪光。



2.无线遥控拍摄并同步引闪闪光灯：多个RF605组合使用的例子，需使用LS-2.5快门连接线及多只RF605收发器，此功能要求收发器均设置为RF-603"TRX"状态。

- 1).将一只收发器安装在相机机顶热靴座上，并使用快门连接线与相机快门插座连接。
- 2).固定及安装好接收器及闪光灯。
- 3).手持一只收发器作为遥控发射器，全按下多功能按钮时，相机进行拍摄动作，闪光灯同步引闪。



故障排除

1.无法开机，无法测试或引闪闪光灯

- ☞ 确保设备电力充足，收发器使用相同的频道及通信模式。
- ☞ 设置在TX状态时按多功能按钮测试闪光，**在RX及TRX状态不能测试闪光。**
- ☞ 确保**闪光灯就绪且闪光灯已设置在手动M档。**
- ☞ 收发器与相机、闪光灯接触不良会导致无法引闪，确保已安装到正确位置。

2.无法唤醒闪光灯

- ☞ 使用非专用的发射器时，需在发射器TX状态下半按发射器按钮将闪光灯唤醒，如果闪光灯不能被唤醒，需手动唤醒闪光灯或关闭其节电模式。

3.使用快门线功能时快门无法释放

- ☞ 部分相机未找到焦点时，即使收到拍摄信号也不会进行拍摄，应将相机镜头对焦模式调整为"M"。

4.恢复出厂设置

- ☞ 同时按住【TX Group】与【C/F】按钮，松开即可恢复出厂设置。

规格

类型：FSK 2.4GHz无线遥控系统

传送距离：100米

频道：16个频道

分组：6个

快门释放：半按，全按

快门接口：2.5MM接口

影室灯接口：标准PC接口

最高同步速度：1/320秒

电池：AAA×2(3V)

待机时间：TX状态约90小时，TRX(RX)状态约30小时

体积：85*41*35mm

本手册中的功能是依据本公司的测试条件获得。设计和规格如有变更，恕不另行通知。

本手册中的永诺(YONGNUO)徽标是深圳市永诺摄影器材股份有限公司在中国或/和其他国家(地区)的注册商标。其他所有商标均为其各自所有者拥有。

序列号
SN. _____

产品名称 _____ 购买日期 _____
Product Model _____ Purchase Date _____

用户名称 _____ 联系电话 _____
Name _____ Phone _____

地址 _____ 邮编 _____
Address _____ Zip Code _____

故障说明 _____
Failure Description _____

